



Personal & Secure

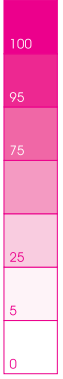


*Godrej* interio

Personal Locker Units

Cyan Magenta Yellow Black





# Personal Locker Units



Personal Lockers offer a space saving & safe storage of personal effects at factories, workshops, laboratories, colleges, research institutes and sports clubs

### Durability

Made from prime quality CRCA steel with anti-corrosive treatment.

### Ventilation

All locker doors have ventilating louvers for air circulation.

### Accessories

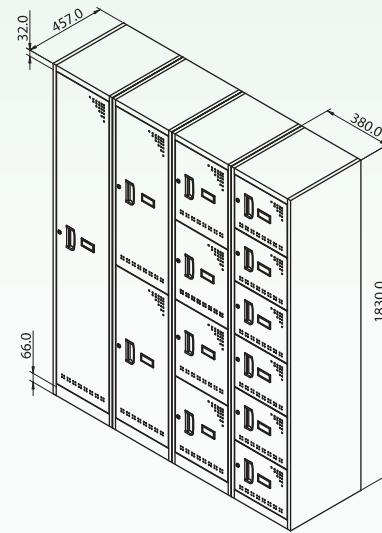
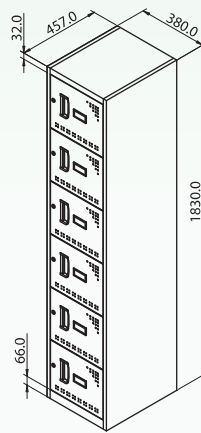
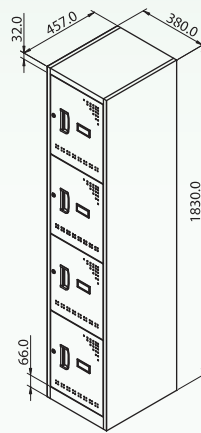
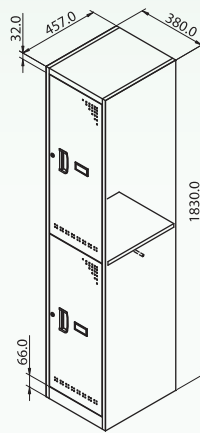
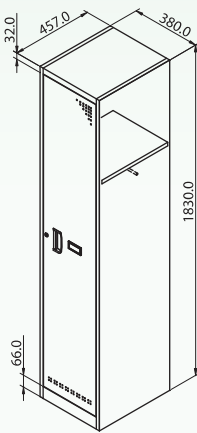
- Hanging rods in 1 & 2 Door locker models
- Stands are also available in option of 1 locker, 2 locker or 3 locker combination and make cleaning of work area easy
- Label holders are provided for easy identification
- Lockers can be provided with or without lock and can function as stand alone units or as a multi-unit configuration

### Product Range

Available in 1 Door, 2 Door, 4 Door and 6 Door models in Prince Grey and Olive Green colours.



Prince Grey  
Olive Green



All dimensions are in mm

OPOS • DESKING • SEATING • STORAGE • INTERIORS



#### Branches:

- West:** Mumbai, Ahmedabad, Bhopal, Pune, Raipur.
- East:** Kolkata, Bhubaneshwar, Guwahati, Patna, Ranchi.
- North:** Delhi, Chandigarh, Faridabad-Ghaziabad, Jaipur, Lucknow.
- South:** Chennai, Bangalore, Hyderabad, Kochi, Vizag.

#### Local Address:

In keeping with the Godrej policy of continuous development and improvement, the dimensions and specification may be changed without prior notice or obligations. All dimensions are in mm and are subject to commercial tolerances. Colour options depicted in this catalogue are as close to the modern printing process allow.

Godrej & Boyce Mfg. Co. Ltd. Interio Division, Plant-4, Pirojshanagar, Vikhroli, Mumbai – 400 079. Fax: 91-22-6796 1503. Toll Free Number: 1-800-2095511. www.godrejinterio.com Email: interiohome@godrej.com

INTERIO/PLU/20/VISCOMM/JUNE 07

